



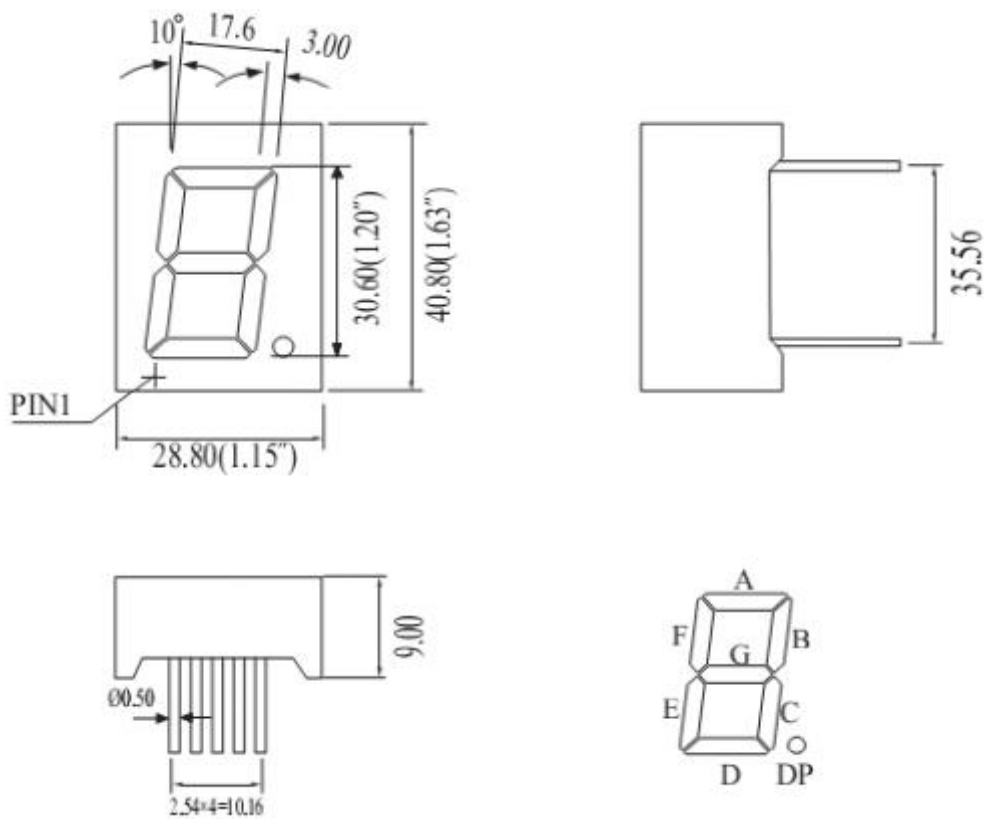
# Wuxi Compul Electronics Co.,Ltd

Mail: [Sales@compul.cn](mailto:Sales@compul.cn) Web: [www.compul.cn](http://www.compul.cn)

Tel: 86 510 87359088 Fax: 86 510 87359268

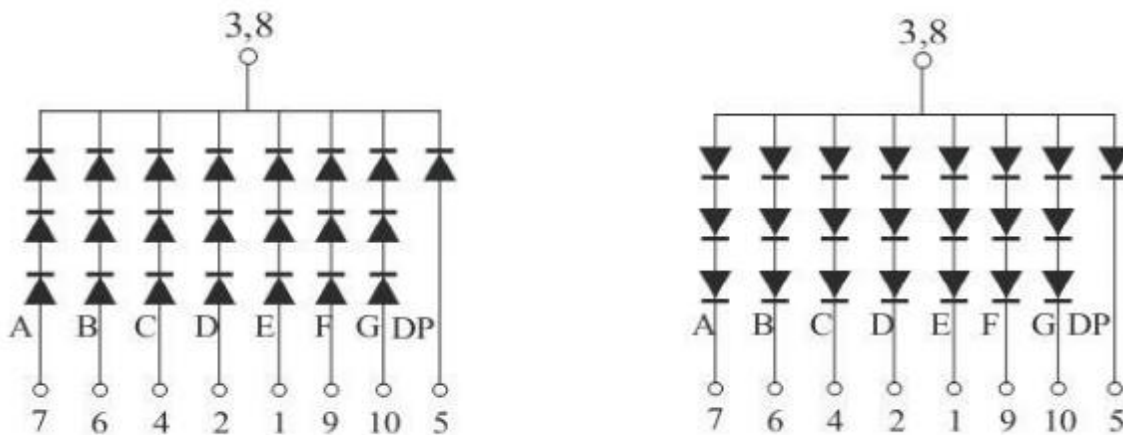
## Package Dimensions

### CPS12011KL



UNIT: MM(INCH) TOLERANCE:  $\pm 0.25(0.01)$ "

## Internal Circuit Diagram



**12011K**

**12011L**

## Single Digital Displays Series