



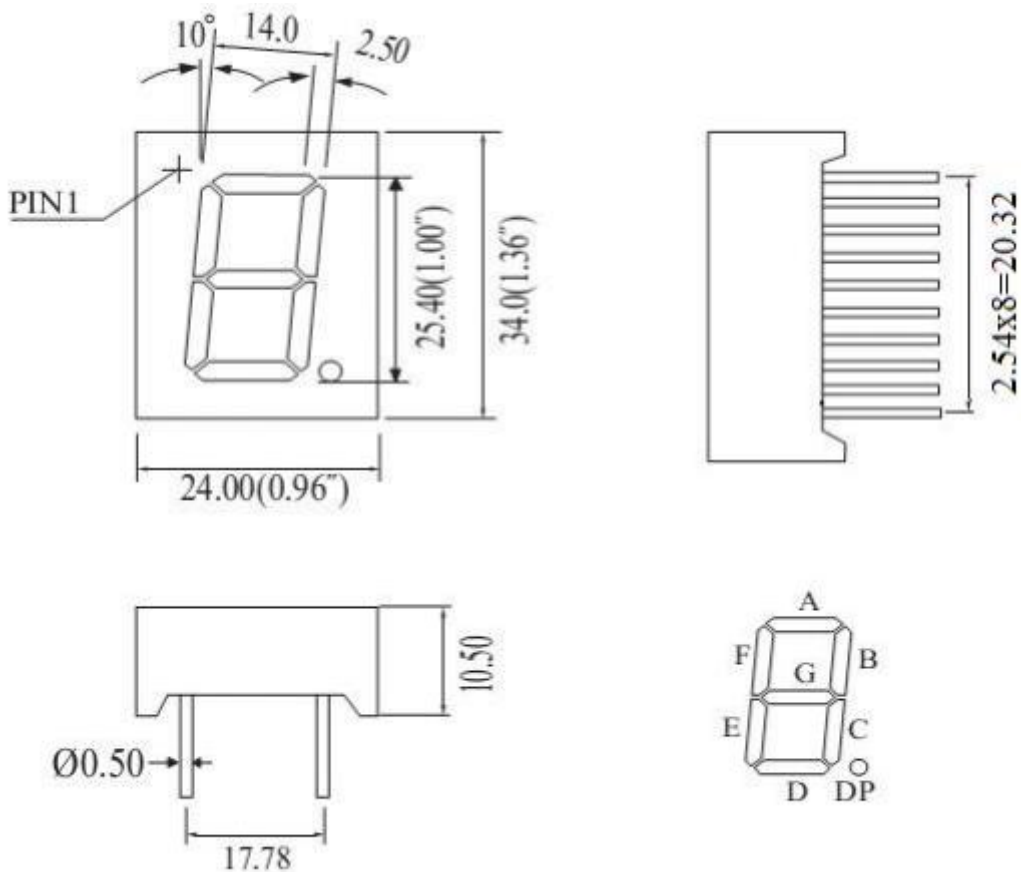
# Wuxi Comput Electronics Co.,Ltd

Mail: [Sales@compul.cn](mailto:Sales@compul.cn) Web: [www.compul.cn](http://www.compul.cn)

Tel: 86 510 87359088 Fax: 86 510 87359268

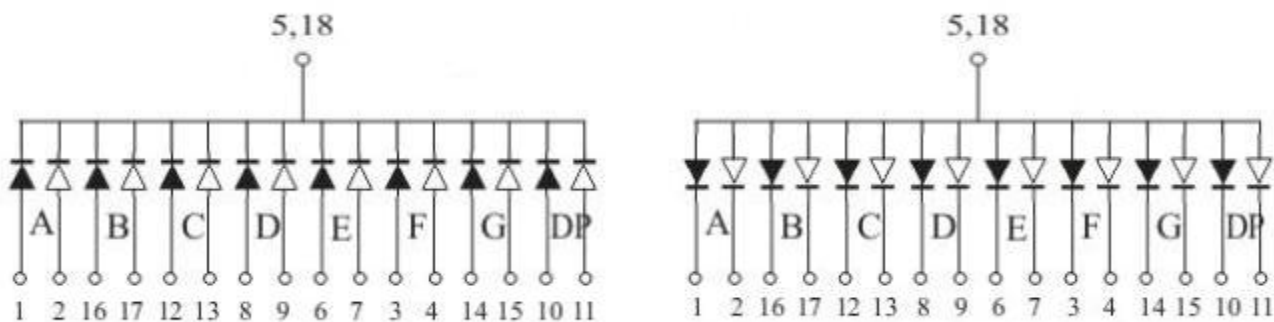
## Package Dimensions

### CPS10016ABEG



UNIT: MM(INCH) TOLERANCE: ±0.25(0.01")

## Internal Circuit Diagram



10016AEG

10016BEG

## Single Digital Displays Series