



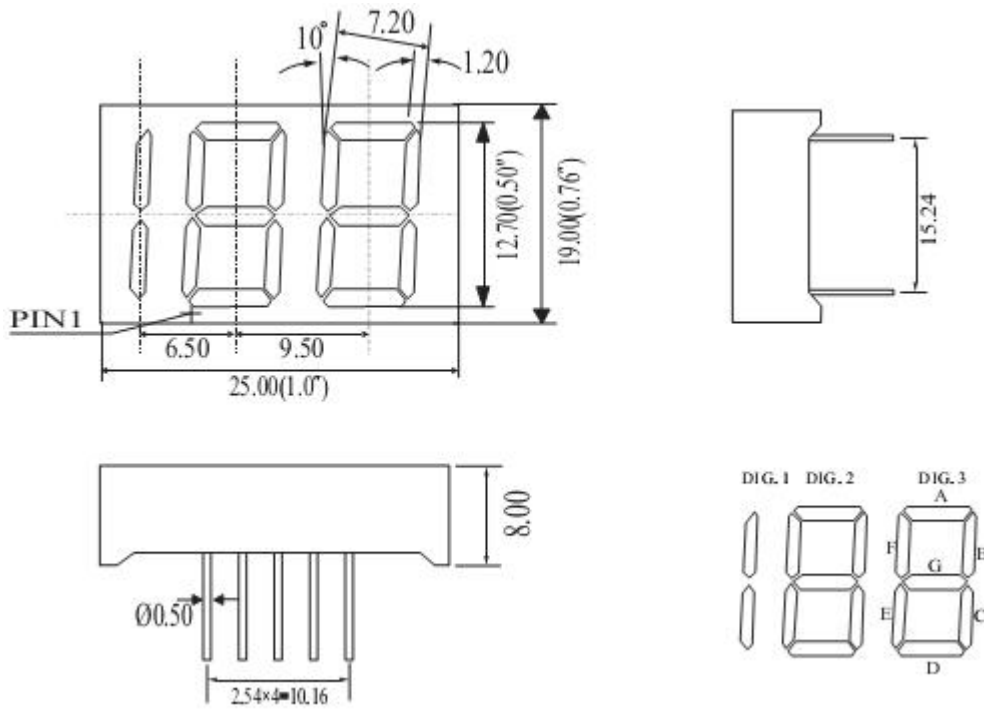
Wuxi Comput Electronics Co.,Ltd

Mail: Sales@compul.cn Web: www.compul.cn

Tel: 86 510 87359088 Fax: 86 510 87359268

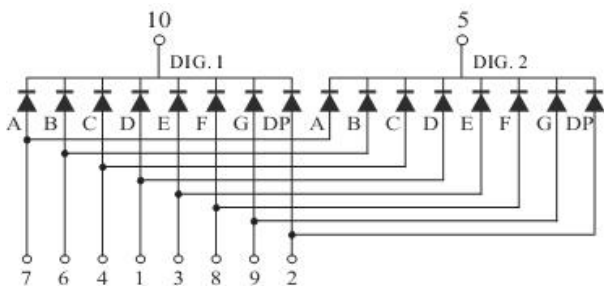
Package Dimensions

CPS05032GH

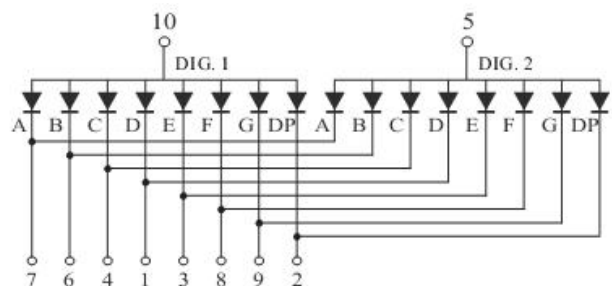


UNIT: MM(INCH) TOLERANCE: $\pm 0.25(0.01'')$

Internal Circuit Diagram



05032G



05032H

Three Digits Displays Series