



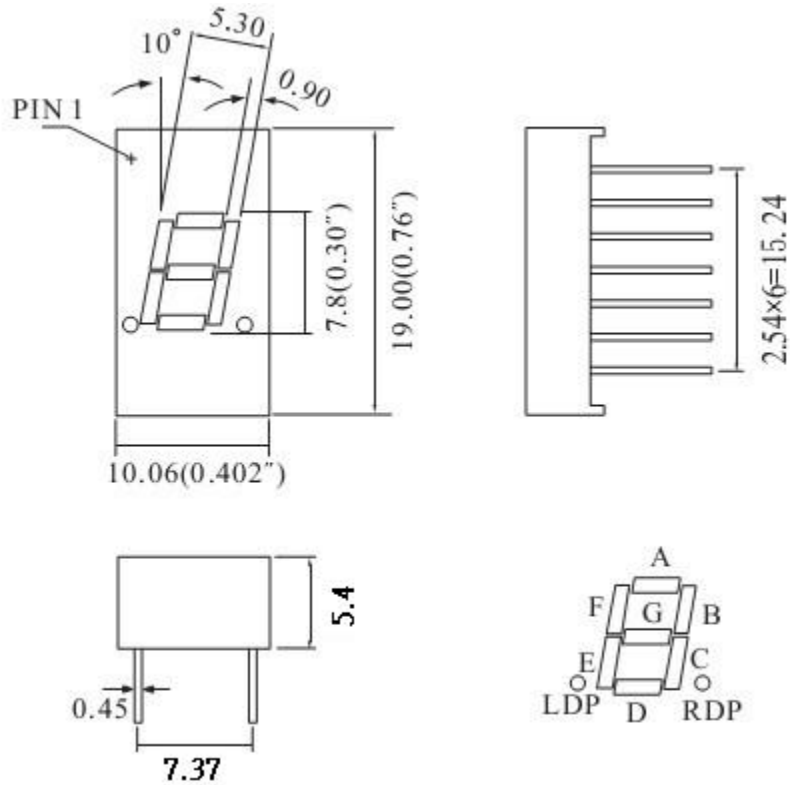
Wuxi Compul Electronics Co.,Ltd

Mail: Sales@compul.cn Web: www.compul.cn

Tel: 86 510 87359088 Fax: 86 510 87359268

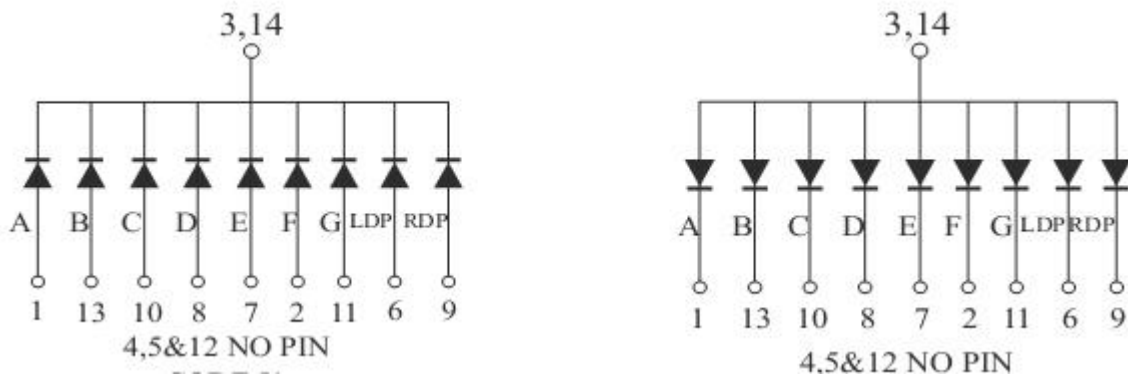
Package Dimensions

CPS03011GH



UNIT: MM(INCH) TOLERANCE: ±0.25(0.01")

Internal Circuit Diagram



03011G

03011H

Single Digital Displays Series